

RT28 Cylindrical Contact Caps Fuse Protector

1. General

RT28 Cylindrical contact caps fuse protector is applicable to the distribution equipment with AC 50Hz, rated voltage of 500V and rated current not more than 63A for circuit overload and short-circuit protection (RT36-00 fuse protector is recommended to be used in capacitor box instead of this kind of fuse protector).

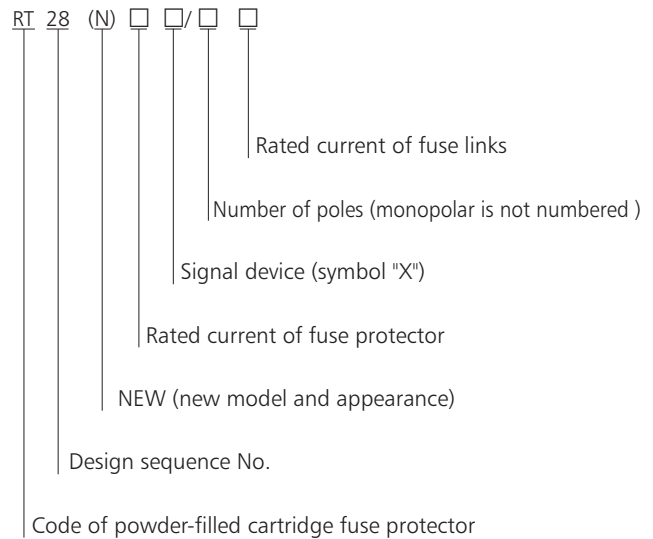
Neon light and resistors constitute fusing signal device of fuse link of fuse protector pedestal (symbol "X").

RT28-32 and RT28-63 fuse link is divided into "gG" and "aM" type; "gG" is ordinary fuse protector with full range of breaking capacity, while "aM" is fuse protector for the protection of motor with partial breaking capacity.

This product conforms to GB 13539 and IEC 60269 standards; its technical indicators have reached international advanced level. Both "gG" and "aM" fuse links can match RT28 or RT29 pedestal.

This product complies with GB 13539 and IEC 60269.

2. Type designation



3. Technical data

3.1 Parameters of fuse protector supporter (pedestal)

Model	Rated voltage(V)	Rated current(A)	Number of poles	Size							Weight (kg)
				A	B	D	E	F	G	K	
RT28N-32	500	32	1P	79±1.5	74±1.5	55±1.0	60±1.5	17.5±0.5	10.3±0.2	38±0.6	0.075
	500	32	2P	79±1.5	74±1.5	55±1.0	60±1.5	35±1.0	10.3±0.2	38±0.6	0.075
	500	32	3P	79±1.5	74±1.5	55±1.0	60±1.5	52.5±1.5	10.3±0.2	38±0.6	0.075
RT28N-32X	500	32	1P	79±1.5	74±1.5	55±1.0	60±1.5	17.5±0.5	10.3±0.2	38±0.6	0.075
	500	32	2P	79±1.5	74±1.5	55±1.0	60±1.5	35±1.0	10.3±0.2	38±0.6	0.075
	500	32	3P	79±1.5	74±1.5	55±1.0	60±1.5	52.5±1.5	10.3±0.2	38±0.6	0.075
RT28-63	500	63	1P	102±2.0	100±1.2	72±1.0	80±2.0	26±0.6	14.3±0.5	51 ^{+0.6} _{-1.0}	0.18
	500	63	2P	102±2.0	100±1.2	72±1.0	80±2.0	52±1.2	14.3±0.5	51 ^{+0.6} _{-1.0}	0.18
	500	63	3P	102±2.0	100±1.2	72±1.0	80±2.0	78±1.8	14.3±0.5	51 ^{+0.6} _{-1.0}	0.18
RT28-63X	500	63	1P	102±2.0	100±1.2	72±1.0	80±2.0	26±0.6	14.3±0.5	51 ^{+0.6} _{-1.0}	0.18
	500	63	2P	102±2.0	100±1.2	72±1.0	80±2.0	52±1.2	14.3±0.5	51 ^{+0.6} _{-1.0}	0.18
	500	63	3P	102±2.0	100±1.2	72±1.0	80±2.0	78±1.8	14.3±0.5	51 ^{+0.6} _{-1.0}	0.18

Fuses

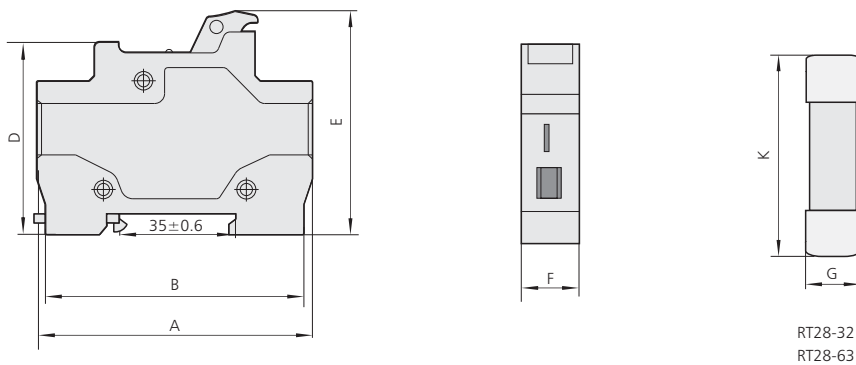
3.2 Parameters of fuse links

Model	Similar models at home and abroad	Size (G×K)	Rated voltage(V)	Rated current(A)	Dissipation power(W)	Breaking capacity(kA)	Weight (kg)
RT28-32	RT18-32, RT14-20, RT19-32, R015	10×38	500	2, 4, 6, 8, 10, 16, 20, 25, 32	≤3	50	0.009
RT28-63	RT18-63, RT14-32, RT19-63, R016	14×51	500	10, 16, 20, 25, 32, 40, 50, 63	≤5	50	0.022

3.3 Configuration parameters of fuse protector supporter (pedestal) and fuse links

Fuse protector pedestal Model	Supporting fuse protector		
	Size(mm)	Model of fuse links	Current(A)
RT28N-32 RT28N-32X HG30-32 HG30-32 NRT28-32	10×38	RT28-32, RT14-20, RT29-32, R015	2, 4, 6, 8, 10, 16, 20, 25, 32
RT28-63 RT28-63X NRT28-63	14×51	RT28-63, RT14-32, RT29-63, R016	10, 16, 20, 25, 32, 40, 50, 63
NRT28-125	22×58	RT14-63, RT29-125, R017	25, 32, 40, 50, 63, 80, 100, 125

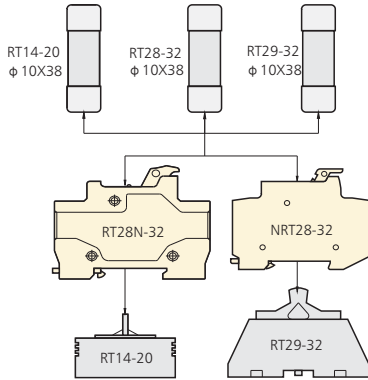
4. Overall and mounting dimensions



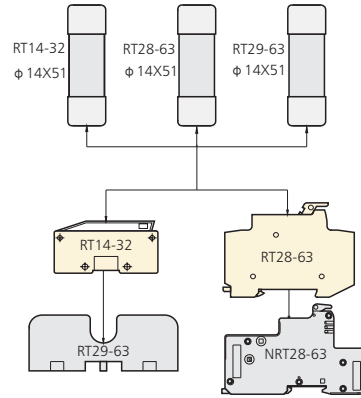
5. Schematic diagram

Matched schematic diagram of fuse protector supporter (pedestal) and fuse links

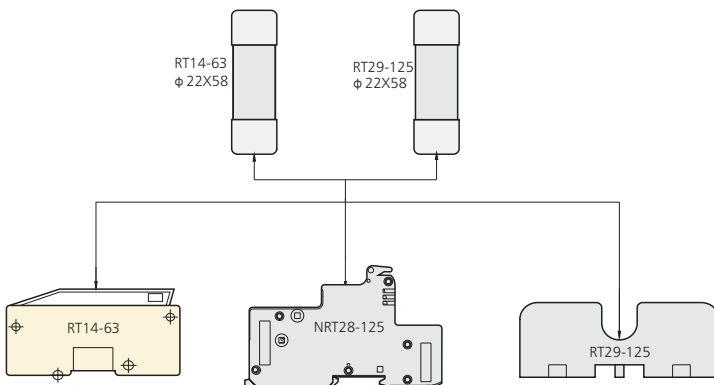
Matched schematic diagram of fuse protector supporter (pedestal) and fuse links with size of 10×38



Matched schematic diagram of fuse protector supporter (pedestal) and fuse links with size of 14×51



Matched schematic diagram of fuse protector supporter (pedestal) and fuse links with size of 22×58



6. Ordering information

6.1 It needs to notify the following when ordering:

- 6.1.1 Fuse link shall be marked with product model, rated current and quantity.
- 6.1.2 Pedestal shall be marked with type, specification, pedestal mark, number of pole and quantity.

6.2 Ordering example

- 100 RT28-32 20A fuse links can be expressed as 100 RT28-32/20A fuse links.
- 100 RT28-32 pedestal of three poles can be expressed as 100 RT28-32/ 3P pedestals.